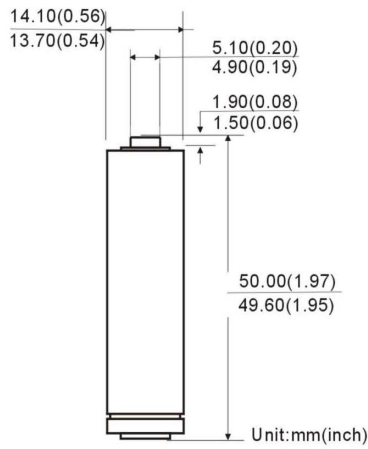
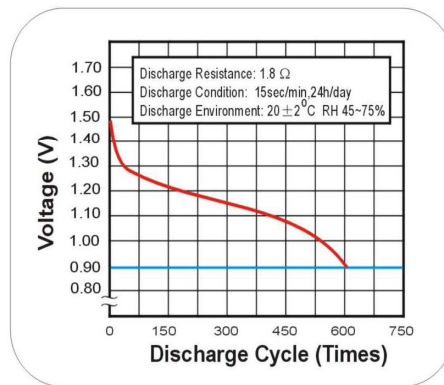
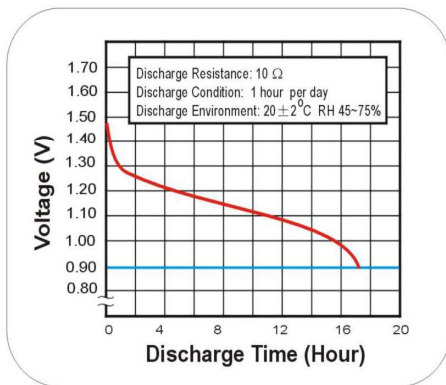
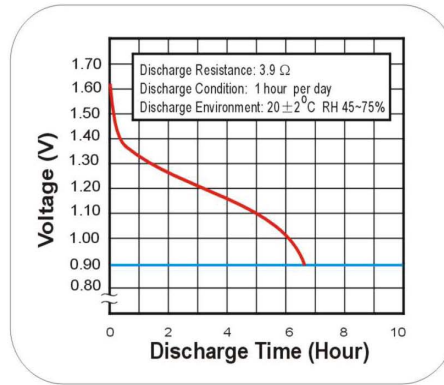
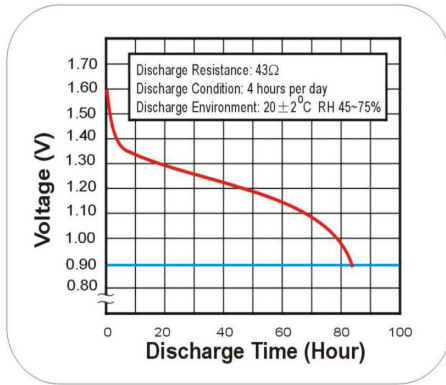


PLUS ALKALINE BATTERY

LR6



Chemical System : Alkaline
Zinc-Manganese Dioxide (Zn/MnO₂)
Camelion Model : LR6
IEC No. : LR6
ANSI/NEDA No. : 15A (AA)
Average Weight : 24.0g
Dimension (∅ x H) : 14.1^{±0.2} x 49.8^{±0.3} mm
0.56^{±0.01} x 1.96^{±0.01} inch
Terminals : Flat
Nominal Voltage : 1.5Volts
Average Capacity : 2800 mAh to 0.8 volts
(20±2°C, Rated capacity at 25 mA continuous drain)
Jacket : Aluminum Foil Label



Notice:

Environmental elements comply with ROHS requirements. This information is subject to change without prior notice and for reference only. It should not be used as a product guarantee or warranty. For additional information, please contact with Vapex Technology Limited.